



FEATURES

- Investment Cast Body Construction
- Valve Design as per API 600 & BS1873
- Bolted Bonnet Design
- Rising Stem, Rising Handwheel
- Outside Screw & Yoke, Flexible Disc
- Standard in Trim#8 ; Other Trim Materials are available upon request
- Available for Pneumatic or Electric Actuator
- NACE MR0175 is available upon request
- Super Alloy materials for highly corrosive medium are available upon request

AUTOMATION AVAILABLE

SPECIFICATIONS

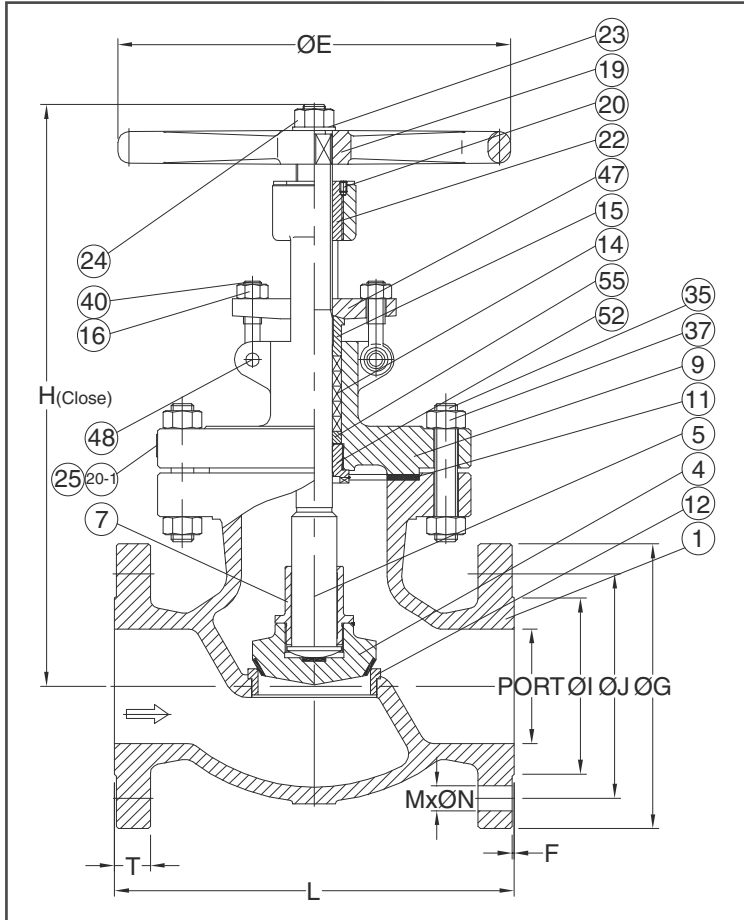
- Size Range 2" ~ 20" (DN50 ~ DN500)
- End Connection Flanged End, RF
- Working Pressure CF8M - 275 PSI (CWP)
WCB - 285 PSI (CWP)

STANDARDS

- Design ASME/ANSI B16.34 / API 600 / BS1873
- Face to Face ASME/ANSI B16.10 Class 150
- Flange Dimension ASME/ANSI B16.5 Class 150 RF
- Material ASTM
- Pressure Testing API 598

CERTIFICATE

- Quality Assurance ISO 9001
- Material Certificate EN 10204-3.1 MTR
- CE Approval PED 97/23/EC Module H
- Canadian Certificate CRN



MATERIAL LIST		
NO.	PART NAME	MATERIAL (more options available)
1	BODY	ASTM A216 Gr.WCB
4	DISC	ASTM A216 Gr.WCB + 13Cr.
5	STEM	ASTM A182 Gr.F6A
7	DISC NUT	ASTM A276 TYPE 410
9	BONNET	ASTM A216 Gr.WCB
11	GASKET	SS304 + GRAPHITE (SPW)
12	SEAT RING	ASTM A105 + STELLITE#6
14	PACKING	GRAPHITE
15	GLAND	ASTM A276 TYPE 410
16	GLAND NUT	ASTM A194 Gr.2H
19	HANDWHEEL	DUCTILE IRON
20	SCREW	ASTM A29 TYPE 1035
20-1	RIVET	SS304
22	STEM NUT	ASTM A439 Gr.D-2
23	HANDWHEEL WASHER	ASTM A29 TYPE 1025
24	HANDWHEEL NUT	ASTM A29 TYPE 1045
25	NAME PLATE	SS304
35	BOLT	ASTM A193 Gr.B7
37	STUD BOLT NUT	ASTM A194 Gr.2H
40	EYE BOLT	ASTM A193 Gr.B7
47	GLAND FLANGE	ASTM A216 Gr.WCB
48	PIN	ASTM A29 TYPE 1025
52	BACK SEAT	ASTM A276 TYPE 410
55	SPACER RING	ASTM A276 TYPE 410

DIMENSION												unit : mm
SIZE	PORT	L	ØE	H(Close)	ØG	ØJ	ØI	T	F	M x ØN	ØN	
DN50	2"	51	203	200	327	152	120.5	92	16	1.6	4 x Ø19	19
DN80	3"	76	241	250	350	190	152.5	127	19	1.6	4 x Ø19	19
DN100	4"	102	292	300	441	229	190.5	157	24	1.6	8 x Ø19	19
DN150	6"	152	406	350	468	279	241.5	216	26	1.6	8 x Ø22	22

DIMENSION												unit : inch
SIZE	PORT	L	ØE	H(Close)	ØG	ØJ	ØI	T	F	M x ØN	ØN	
DN50	2"	2.01	7.99	7.87	12.87	5.98	4.74	3.62	0.63	0.06	4 x Ø0.75	
DN80	3"	2.99	9.49	9.84	13.78	7.48	6.00	5.00	0.75	0.06	4 x Ø0.75	
DN100	4"	4.02	11.50	11.81	17.36	9.02	7.50	6.18	0.94	0.06	8 x Ø0.75	
DN150	6"	5.98	15.98	13.78	18.43	10.98	9.51	8.50	1.02	0.06	8 x Ø0.87	



GBF-150

API 600 Flanged Globe Valve
ANSI Class 150
API 600 Design / BS1873
2" ~ 20"

CRN
 CERTIFICATED



FEATURES

- Investment Cast Body Construction
- Valve Design as per API 600 & BS1873
- Bolted Bonnet Design
- Rising Stem, Rising Handwheel
- Outside Screw & Yoke, Flexible Disc
- Standard in Trim#8 ; Other Trim Materials are available upon request
- Available for Pneumatic or Electric Actuator
- NACE MR0175 is available upon request
- Super Alloy materials for highly corrosive medium are available upon request

AUTOMATION AVAILABLE

SPECIFICATIONS

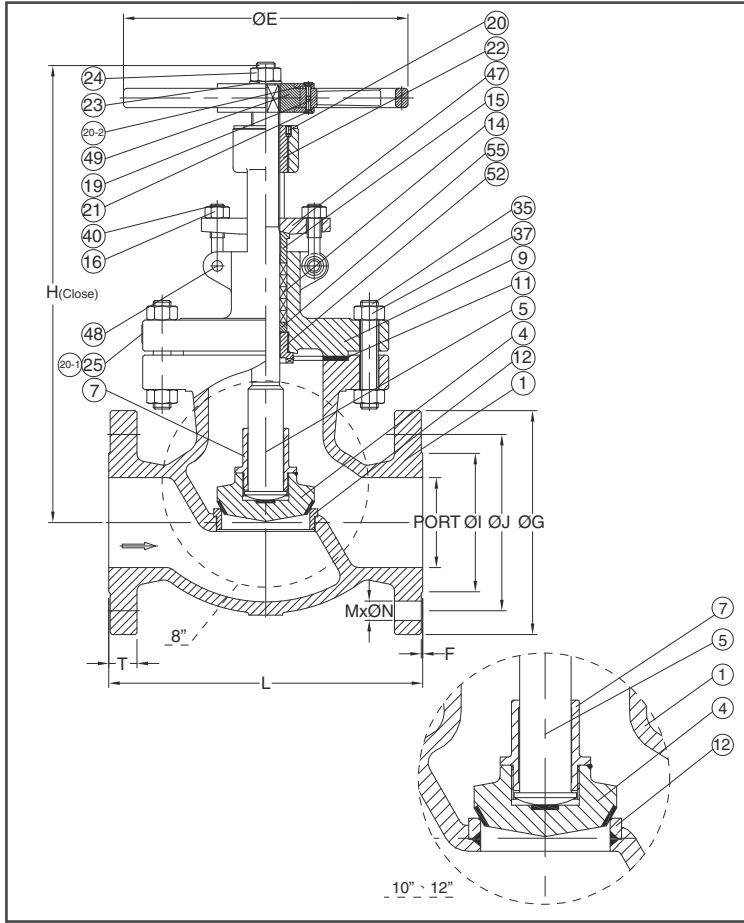
- Size Range 2" ~ 20" (DN50 ~ DN500)
- End Connection Flanged End, RF
- Working Pressure CF8M - 275 PSI (CWP)
WCB - 285 PSI (CWP)

STANDARDS

- Design ASME/ANSI B16.34 / API 600 / BS1873
- Face to Face ASME/ANSI B16.10 Class 150
- Flange Dimension ASME/ANSI B16.5 Class 150 RF
- Material ASTM
- Pressure Testing API 598

CERTIFICATE

- Quality Assurance ISO 9001
- Material Certificate EN 10204-3.1 MTR
- CE Approval PED 97/23/EC Module H
- Canadian Certificate CRN



MATERIAL LIST		
NO.	PART NAME	MATERIAL (more options available)
1	BODY	ASTM A216 Gr.WCB
4	DISC	ASTM A216 Gr.WCB + 13Cr.
5	STEM	ASTM A182 Gr.F6A
7	DISC NUT	ASTM A276 TYPE 410
9	BONNET	ASTM A216 Gr.WCB
11	GASKET	SS304 + GRAPHITE (SPW)
12	SEAT RING	ASTM A105 + STELLITE#6
14	PACKING	GRAPHITE
15	GLAND	ASTM A276 TYPE 410
16	GLAND NUT	ASTM A194 Gr.2H
19	HANDWHEEL	DUCTILE IRON
20	SCREW	ASTM A29 TYPE 1035
20-1	RIVET	SS304
20-2	SCREW	ASTM A29 TYPE 1035
21	HANDLE COVER	ASTM A29 TYPE 1025
22	STEM NUT	ASTM A439 Gr.D-2
23	HANDWHEEL WASHER	ASTM A29 TYPE 1025
24	HANDWHEEL NUT	ASTM A29 TYPE 1045
25	NAME PLATE	SS304
35	BOLT	ASTM A193 Gr.B7
37	STUD BOLT NUT	ASTM A194 Gr.2H
40	EYE BOLT	ASTM A193 Gr.B7
47	GLAND FLANGE	ASTM A216 Gr.WCB
48	PIN	ASTM A29 TYPE 1025
49	LMPACT BLOCK	ASTM A29 TYPE 1045
52	BACK SEAT	ASTM A276 TYPE 410
55	SPACER RING	ASTM A276 TYPE 410

DIMENSION												unit : mm
SIZE	PORT	L	ØE	H(Close)	ØG	ØJ	ØI	T	F	M x ØN		
DN200	8"	203	495	400	542	343	298.5	270	59	1.6	8 x Ø22	
DN250	10"	254	622	450	636	406	362.0	324	31	1.6	12 x Ø25	
DN300	12"	305	698	640	897	483	432.0	381	32	1.6	12 x Ø25	

DIMENSION												unit : inch
SIZE	PORT	L	ØE	H(Close)	ØG	ØJ	ØI	T	F	M x ØN		
DN200	8"	7.99	19.49	15.75	21.34	13.50	11.75	10.63	1.14	0.06	8 x Ø0.87	
DN250	10"	10.00	24.49	17.72	25.04	15.98	14.25	12.76	1.22	0.06	12 x Ø0.98	
DN300	12"	12.01	27.48	25.20	35.31	19.02	17.01	15.00	1.26	0.06	12 x Ø0.98	



FEATURES

- Investment Cast Body Construction
- Valve Design as per API 600 & BS1873
- Bolted Bonnet Design
- Rising Stem, Rising Handwheel
- Outside Screw & Yoke, Flexible Disc
- Standard in Trim#8 ; Other Trim Materials are available upon request
- Available for Pneumatic or Electric Actuator
- NACE MR0175 is available upon request
- Super Alloy materials for highly corrosive medium are available upon request

AUTOMATION AVAILABLE

SPECIFICATIONS

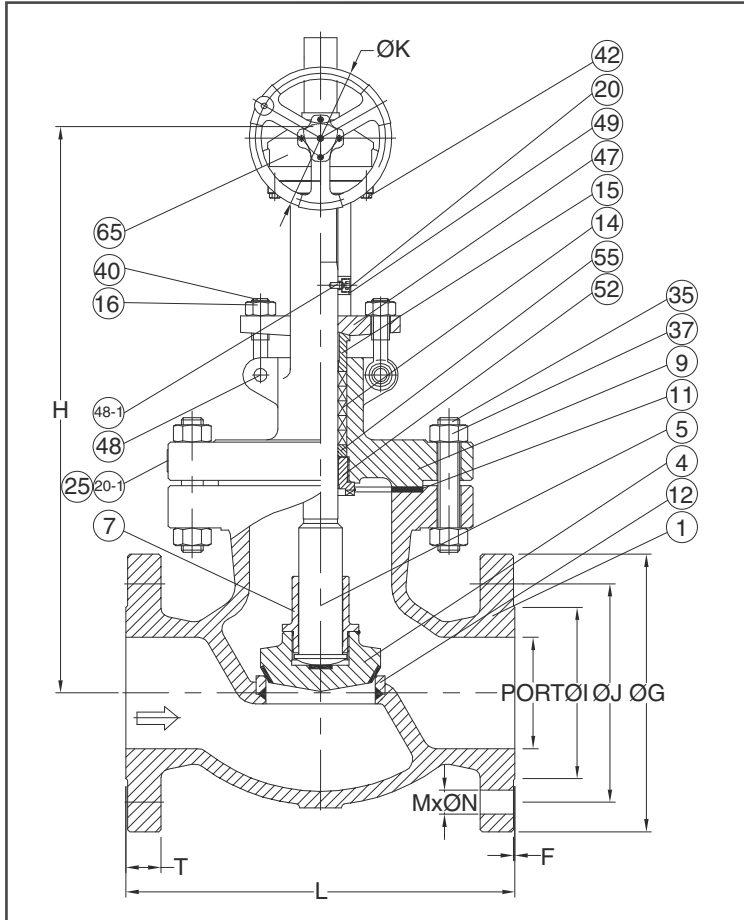
- Size Range 2" ~ 20" (DN50 ~ DN500)
- End Connection Flanged End, RF
- Working Pressure CF8M - 275 PSI (CWP)
WCB - 285 PSI (CWP)

STANDARDS

- Design ASME/ANSI B16.34 / API 600 / BS1873
- Face to Face ASME/ANSI B16.10 Class 150
- Flange Dimension ASME/ANSI B16.5 Class 150 RF
- Material ASTM
- Pressure Testing API 598

CERTIFICATE

- Quality Assurance ISO 9001
- Material Certificate EN 10204-3.1 MTR
- CE Approval PED 97/23/EC Module H
- Canadian Certificate CRN



MATERIAL LIST

NO.	PART NAME	MATERIAL (more options available)
1	BODY	ASTM A216 Gr.WCB
4	DISC	ASTM A216 Gr.WCB + 13Cr.
5	STEM	ASTM A182 Gr.F6A
7	DISC NUT	ASTM A276 TYPE 410
9	BONNET	ASTM A216 Gr.WCB
11	GASKET	SS304 + GRAPHITE (SPW)
12	SEAT RING	ASTM A105 + STELLITE#6
14	PACKING	GRAPHITE
15	GLAND	ASTM A276 TYPE 410
16	GLAND NUT	ASTM A194 Gr.2H
20	SCREW	ASTM A29 TYPE 1035
20-1	RIVET	SS304
25	NAME PLATE	SS304
35	BOLT	ASTM A193 Gr.B7
37	STUD BOLT NUT	ASTM A194 Gr.2H
40	EYE BOLT	ASTM A193 Gr.B7
42	GLAND BOLT	ASTM A29 TYPE 1035
47	GLAND FLANGE	ASTM A216 Gr.WCB
48	PIN	ASTM A29 TYPE 1025
48-1	PIN	ASTM A29 TYPE 1025
49	GUIDE PLATE	ASTM A29 TYPE 1025
52	BACK SEAT	ASTM A276 TYPE 410
55	SPACER RING	ASTM A276 TYPE 410
65	GEAR BOX	

DIMENSION

unit : mm

SIZE	PORT	L	ØK	H	ØG	ØJ	ØI	T	F	M x ØN	
DN250	10"	254	622	610	658	406	362	324	31	1.6	12 x Ø25
DN300	12"	305	698	610	852	483	432	381	32	1.6	12 x Ø25
DN350	14"	337	787	710	913	533	476	413	35	1.6	12 x Ø29
DN400	16"	387	914	710	1007	597	540	470	37	1.6	16 x Ø29

DIMENSION

unit : inch

SIZE	PORT	L	ØK	H	ØG	ØJ	ØI	T	F	M x ØN	
DN250	10"	10.00	24.49	24.02	25.91	15.98	14.25	12.76	1.22	0.06	12 x Ø0.98
DN300	12"	12.01	27.48	24.02	33.54	19.02	17.00	15.00	1.26	0.06	12 x Ø0.98
DN350	14"	13.27	30.98	27.95	35.94	20.98	18.74	16.26	1.38	0.06	12 x Ø1.14
DN400	16"	15.24	35.98	27.95	39.65	23.50	21.26	18.50	1.46	0.06	16 x Ø1.14



FEATURES

- Investment Cast Body Construction
- Valve Design as per API 600 & BS1873
- Bolted Bonnet Design
- Rising Stem, Rising Handwheel
- Outside Screw & Yoke, Flexible Disc
- Standard in Trim#8 ; Other Trim Materials are available upon request
- Available for Pneumatic or Electric Actuator
- NACE MR0175 is available upon request
- Super Alloy materials for highly corrosive medium are available upon request

AUTOMATION AVAILABLE

SPECIFICATIONS

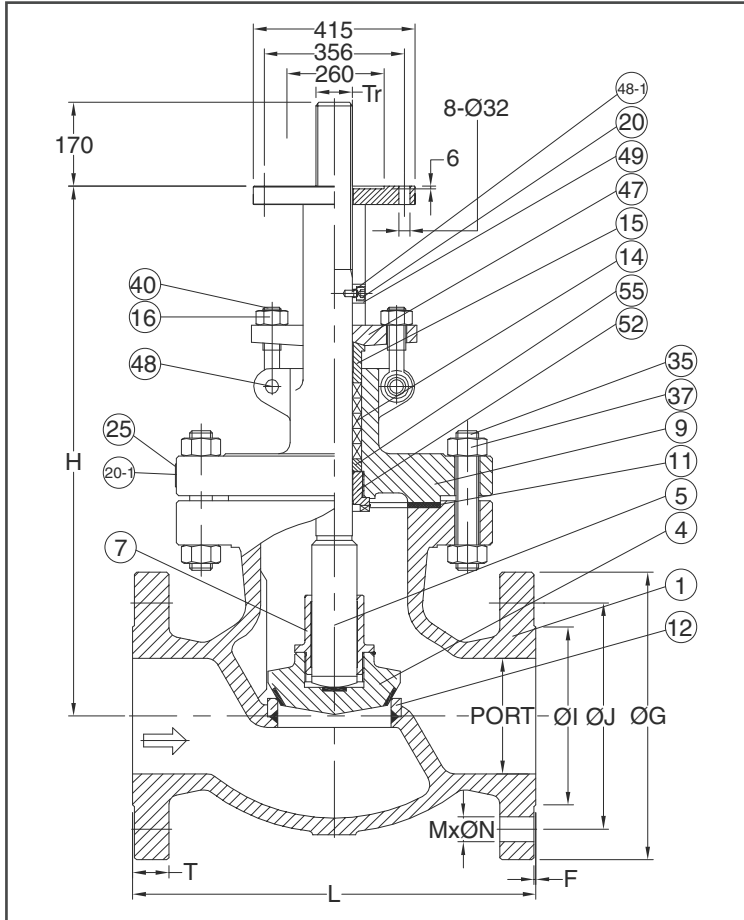
- Size Range 2" ~ 20" (DN50 ~ DN500)
- End Connection Flanged End, RF
- Working Pressure CF8M - 275 PSI (CWP)
WCB - 285 PSI (CWP)

STANDARDS

- Design ASME/ANSI B16.34 / API 600 / BS1873
- Face to Face ASME/ANSI B16.10 Class 150
- Flange Dimension ASME/ANSI B16.5 Class 150 RF
- Material ASTM
- Pressure Testing API 598

CERTIFICATE

- Quality Assurance ISO 9001
- Material Certificate EN 10204-3.1 MTR
- CE Approval PED 97/23/EC Module H
- Canadian Certificate CRN



MATERIAL LIST

NO.	PART NAME	MATERIAL (more options available)
1	BODY	ASTM A216 Gr.WCB
4	DISC	ASTM A216 Gr.WCB + 13Cr.
5	STEM	ASTM A182 Gr.F6A
7	DISC NUT	ASTM A276 TYPE 410
9	BONNET	ASTM A216 Gr.WCB
11	GASKET	SS304 + GRAPHITE (SPW)
12	SEAT RING	ASTM A105 + STELLITE#6
14	PACKING	GRAPHITE
15	GLAND	ASTM A276 TYPE 410
16	GLAND NUT	ASTM A194 Gr.2H
20	SCREW	ASTM A29 TYPE 1035
20-1	RIVET	SS304
25	NAME PLATE	SS304
35	BOLT	ASTM A193 Gr.B7
37	STUD BOLT NUT	ASTM A194 Gr.2H
40	EYE BOLT	ASTM A193 Gr.B7
47	GLAND FLANGE	ASTM A216 Gr.WCB
48	PIN	ASTM A29 TYPE 1025
48-1	PIN	ASTM A29 TYPE 1025
49	GUIDE PLATE	ASTM A29 TYPE 1025
52	BACK SEAT	ASTM A276 TYPE 410
55	SPACER RING	ASTM A276 TYPE 410

DIMENSION

unit : mm

SIZE	PORT	L	H	ØG	ØJ	ØI	T	
DN500	20"	489	978	990	699	635	584	43
		F	M	ØN	Tr			
		1.6	20	32	2-3/4-3ACME-LH-2G			

DIMENSION

unit : inch

SIZE	PORT	L	H	ØG	ØJ	ØI	T	
DN500	20"	19.25	38.50	38.98	27.52	25.00	22.99	1.69
		F	M x ØN	Tr				
		0.06	20 x Ø1.26	2-3/4-3ACME-LH-2G				