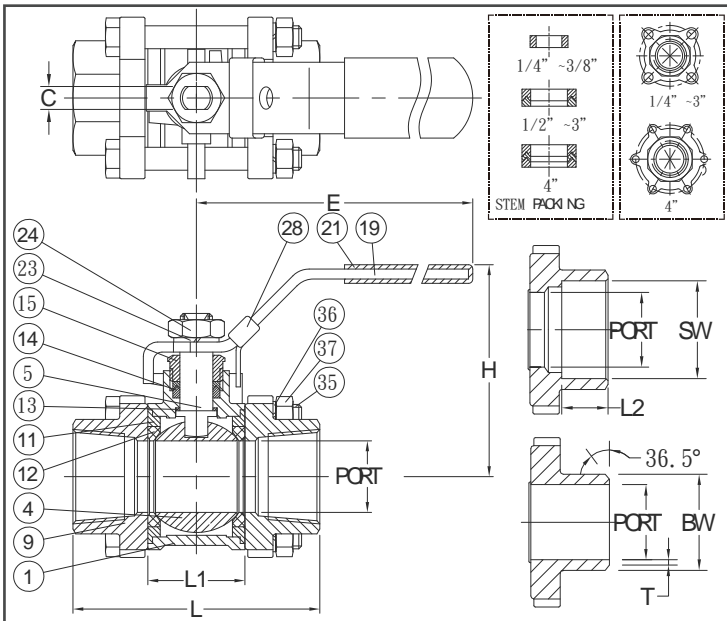
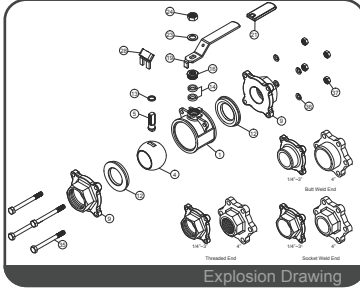
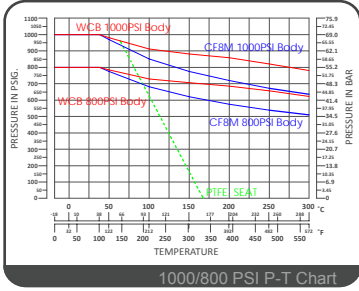


**CRN**  
CERTIFICATED



## FEATURES

- Investment Cast Body Construction
- 3 Pieces Body Design
- In-Line Maintenance
- Blow-Out-Proof Stem Design
- Locking Device **OPTION**
- NACE MR0175 is available upon request
- Super Alloy materials for highly corrosive medium are available upon request

## SPECIFICATIONS

- Size Range 1/4" ~ 4" ( DN8 ~ DN100 )
- End Connection Threaded / Socket / Butt Weld Ends
- Working Pressure 1000PSI ( CWP ) for 1/4" ~ 2" / PN63 for DN8 ~ DN50  
800PSI ( CWP ) for 2-1/2" ~ 4" / PN40 for DN65 ~ DN100
- Steam Pressure 150 PSIG. Saturated Steam for PTFE.
- Temperature Range -4 to 320 °F ( -20 to 160 °C ) for PTFE.

## STANDARDS

- Design EN-12516-1/2/3
- Threaded End NPT/ BS 21 ( BSP ) / BSPT / ISO 228-1 / DIN 2999 / ISO 7-1Rp
- Socket Weld End ASME/ANSI B16.11
- Butt Weld End ASME/ANSI B16.25
- Face to Face MFG / DIN 3202 M3 /S13 **OPTION**
- Material ASTM
- Pressure Testing API 598

## CERTIFICATE

- Quality Assurance ISO 9001
- Material Certificate EN 10204-3.1 MTR
- CE Approval PED 2014/68/EU Module H
- Canadian Certificate CRN

## MATERIAL LIST

NO.	PART NAME	MATERIAL ( more options available )
1	BODY	ASTM A351 Gr.CF8M ASTM A216 Gr.WCB
4	BALL	ASTM A351 Gr.CF8M
5	STEM	ASTM A276 Gr.316
9	END CAP	ASTM A351 Gr.CF8M ASTM A216 Gr.WCB
11	BODY SEAL	PTFE.
12	SEAT	PTFE.
13	THRUST WASHER	PTFE.
14	STEM PACKING	PTFE.
15	GLAND NUT	SS304
19	HANDLE	SS304
21	HANDLE COVER	PLASTIC
23	HANDLE WASHER	SS304
24	HANDLE NUT	SS304
28	LOCKING DEVICE	SS304 ( OPTION )
35	BODY BOLT	SS304
36	BOLT WASHER	SS304
37	BOLT NUT	SS304

## DIMENSION

SIZE		PORT	L	L1	E	H	C	L2	SW	T	BW
DN8	1/4"	11.6	56.6	18.6	102.0	54.0	5.0	10	14.3	1.6	16.2
DN10	3/8"	12.7	56.6	18.6	102.0	54.0	5.0	10	17.6	1.6	17.5
DN15	1/2"	15.0	65.7	23.6	132.0	64.0	6.5	10	21.9	1.6	22.7
DN20	3/4"	20.0	76.2	28.0	132.0	67.0	6.5	13	27.3	1.6	27.5
DN25	1"	25.0	86.2	33.9	167.0	75.0	8.0	13	33.9	1.6	34.0
DN32	1-1/4"	32.0	102.8	42.5	167.0	80.0	8.0	13	42.8	1.6	42.7
DN40	1-1/2"	38.0	119.4	53.2	192.0	90.0	9.7	13	48.9	1.6	48.6
DN50	2"	50.0	131.4	64.6	192.0	98.0	9.7	16	61.3	1.6	60.5

## DIMENSION

SIZE		PORT	L	L1	E	H	C	L2	SW	T	BW
DN8	1/4"	0.46	2.23	0.73	4.02	2.13	0.20	0.39	0.56	0.06	0.64
DN10	3/8"	0.50	2.23	0.73	4.02	2.13	0.20	0.39	0.69	0.06	0.69
DN15	1/2"	0.59	2.59	0.93	5.20	2.52	0.26	0.39	0.86	0.06	0.89
DN20	3/4"	0.79	3.00	1.10	5.20	2.64	0.26	0.51	1.07	0.06	1.08
DN25	1"	0.98	3.39	1.33	6.57	2.95	0.31	0.51	1.33	0.06	1.34
DN32	1-1/4"	1.26	4.05	1.67	6.57	3.15	0.31	0.51	1.69	0.06	1.68
DN40	1-1/2"	1.50	4.70	2.09	7.56	3.54	0.38	0.51	1.93	0.06	1.91
DN50	2"	1.97	5.17	2.54	7.56	3.86	0.38	0.63	2.41	0.06	2.38